

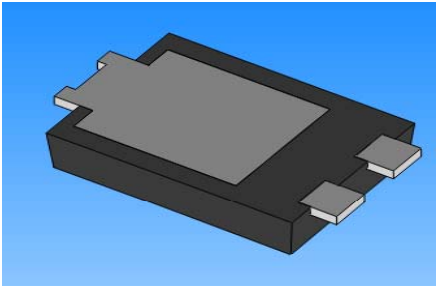


**SCHOTTKY BARRIER RECTIFIER**  
**VOLTAGE RANGE 45Volts CURRENT 20.0 Ampere**

**FEATURES**

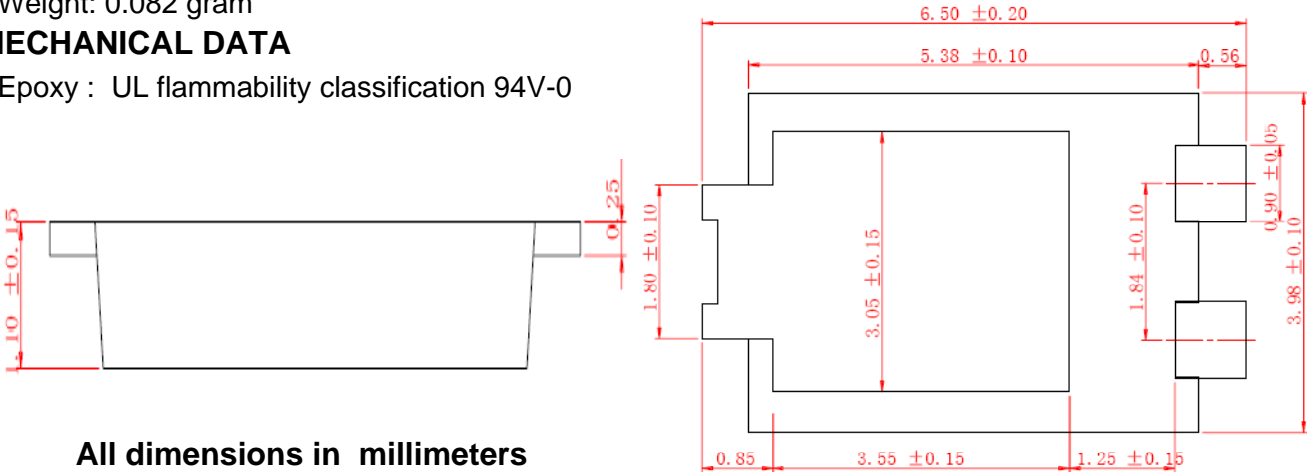
- \* Low switching noise
- \* Low forward voltage drop
- \* High surge capability
- \* High current capability
- \* Mounting position: Any
- \* Weight: 0.082 gram

**TO-277**



**MECHANICAL DATA**

- \* Epoxy : UL flammability classification 94V-0



All dimensions in millimeters

**MAXIMUM RATINGS (@ TA=25 °C unless otherwise noted)**

RATINGS	SYMB OL	2045	UNITS
Maximum Recurrent Peak Reverse Voltage	V <sub>RRM</sub>	45	Volts
Maximum RMS Voltage	V <sub>RMS</sub>	31.5	Volts
Maximum DC Blocking Voltage	V <sub>DC</sub>	45	Volts
Maximum Average Forward Rectified Current at Ambient Temperature	I <sub>o</sub>	20	Amps
Peak Forward Surge Current 8.3 ms single half sine-wave superimposed on rated load (JEDEC method)	I <sub>FSM</sub>	280	Amps
Operating Temperature Range	T <sub>J</sub>	150	°C
Storage Temperature Range	T <sub>STG</sub>	-55 to + 150	°C

**ELECTRICAL CHARACTERISTICS(@TA=25 °C unless otherwise noted)**

		VF	TYP.	MAX.	
Forward Voltage Drop (note1)		VF			Volts
I <sub>F</sub> =20A , T <sub>A</sub> = 25°C			0.49	0.52	
I <sub>F</sub> =20A , T <sub>A</sub> = 125°C			0.45	-	
Maximum Reverse Current at Rated DC Blocking Voltage	@T <sub>A</sub> = 25°C	IR	300		uA
	@T <sub>A</sub> = 100°C		100		mA

Notes:(1) Pulse test :300 us pulse width,1% duty cycle